

# 深圳市普恩科技有限公司

地址：深圳市宝安区龙华镇民治街道民康路蓝坤大厦 1007

电话：0755-85286856 传真：0755-82484849

<http://www.salens.cn> sales@salens.cn

DT902K

## 256 Notes +Led(非同步闪)

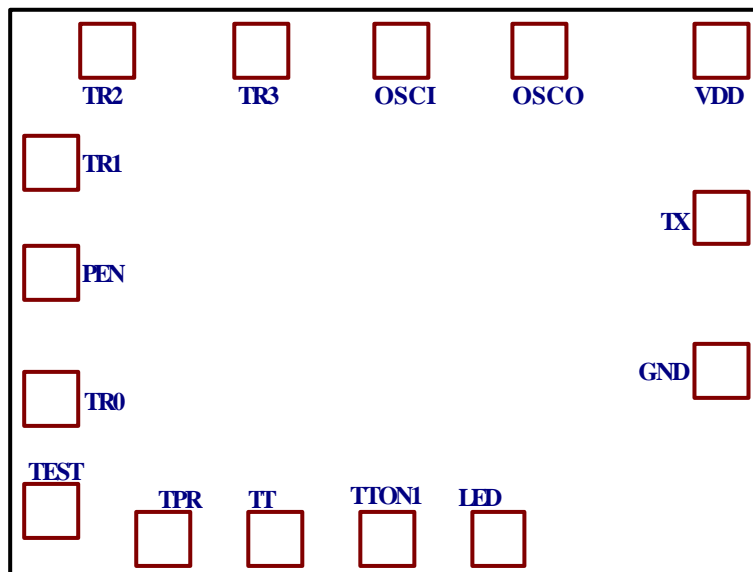
### Features :

- RC oscillator with one external resistor.
- 14 temps available.
- 27 notes (including rest ) available .
- 1 sequence trigger key and 3 direct access keys.
- Power on reset , melody begins from the first note .
- Typical oscillator frequency 160KHz.
- Lower power consumption.
- 15 beats available.
- 256 notes ROM memory
- 2.4Hz asynchronous led
- Motor o/p.

### General Description:

DT902K is a new type of CMOS sound generator designed with sound composite system using minimum application circuit .It is dedicated to the applications such as rhythm box, toys, ect.. and is easy for you to design your consumer products.

### Pin Configuration:



# 深圳市普恩科技有限公司

深圳市宝安区龙华镇民治街道民康路蓝坤大厦 1007

电话：0755-85286856 传真：0755-82484849

<http://www.salens.cn> sales@salens.cn

## Pin Description:

Symbol	Description
VDD	Positive power supply.
TX	Drive speaker
GND	Negative power supply
LED	Led drive pin
TTON1	Test pin
TT	Test pin
Tpr	Test pin
Test	Test pin
TR0	Sequence trigger key
Pen	Motor pin
TR1	Direct access keys
TR2	Direct access keys
TR3	Direct access keys
OscO	Oscillator output pin
Osci	Oscillator input pin

## Absolute Maximum Ratings :

RATING	VALUE
DC Supply Voltage	<6.5V
Input/output Voltage	GND-0.3V to VDD+0.3V
Operating Temperature	0°C to 60 °C
Storage Temperature	-25°C to 125°C

Notice: Stress greater than those listed under Absolute Maximum Ratings may cause permanent damage to the device, This is a stress rating only and functional operation of the device at these or any other conditions above those indicated in the operational sections of this specification is not implied, Exposure to absolute maximum rating conditions for extended period may affect reliability.

## Electrical Characteristics

(VDD=3.0V,GND=0V,Ta=25°C,unless otherwise specified)

Parameter	Symbol	Min	Typ	Max	Condition
Operating Voltage	Vdd	2.4V	3.0V	5.0V	
Standby Current	Istb	---	2uA	5uA	Vdd=3V,I/O open
Operating Current	Iop	---	---	5mA	Vdd=3V,I/O open
Sink Current(LED)	Is	5mA	8mA	---	@ Vds=1.2v
Drive Current(PEN)	Ip	10mA	15mA	----	@ Vds=1v
Oscillator frequency	Fosc	---	160KHz	----	External±15%

# 深圳市普恩科技有限公司

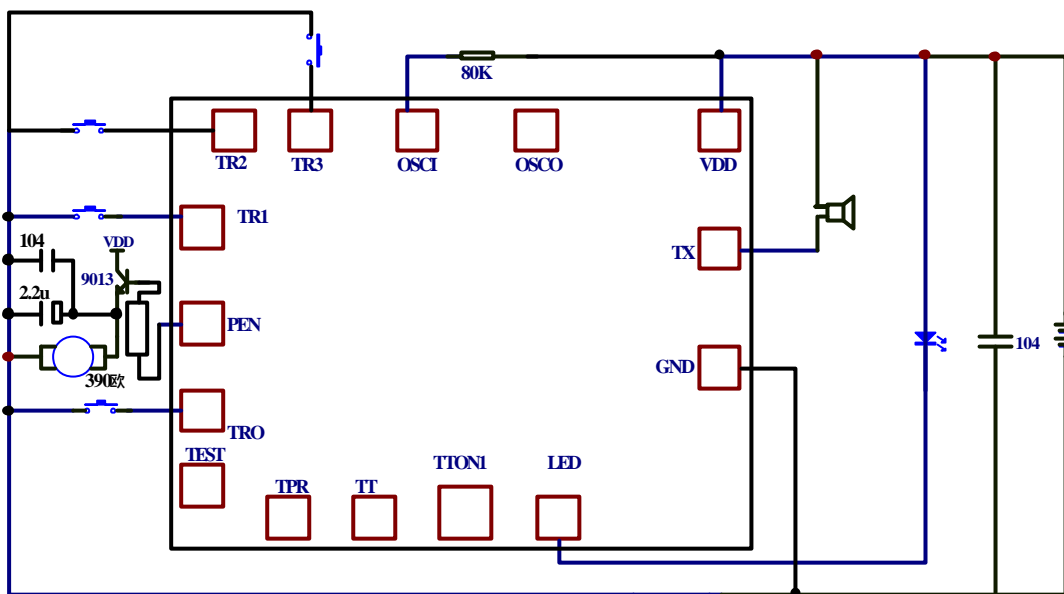
深圳市宝安区龙华镇民治街道民康路蓝坤大厦 1007

电话：0755-85286856 传真：0755-82484849

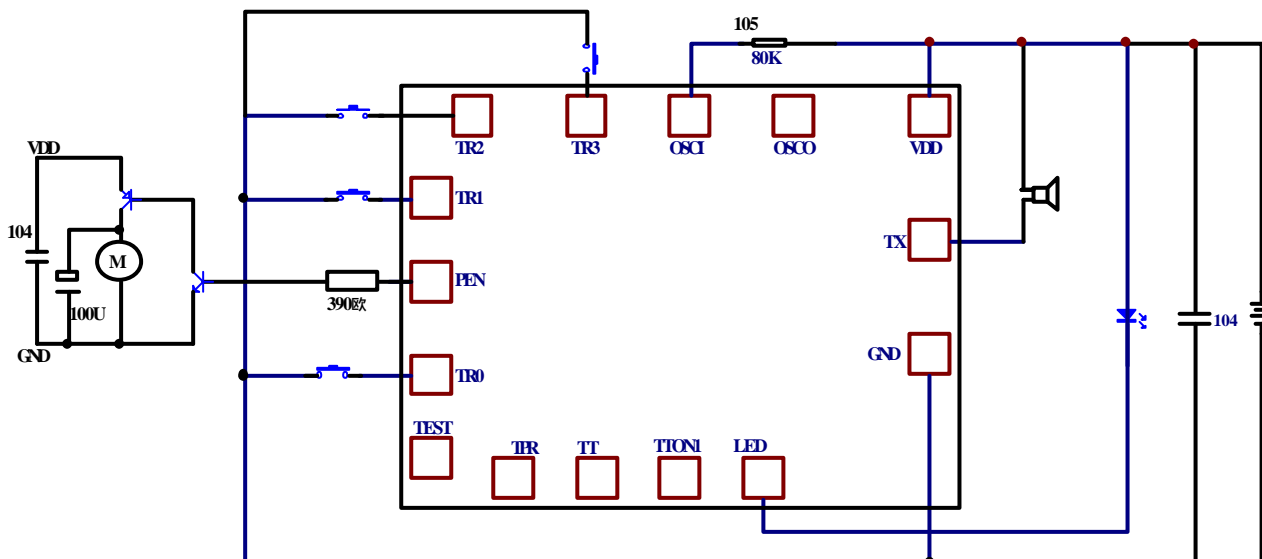
<http://www.salens.cn> sales@salens.cn

## Application Circuit :

### 1>:3.0v application circuit



### 2>:4.5v application circuit



\* Substrate to GND