

深圳市普恩科技有限公司

地址：深圳市宝安区龙华镇民治街道民康路蓝坤大厦 1007

电话：0755-85286856 传真：0755-82484849

<http://www.salens.cn>

DT903

1024 Notes Dual Tone Melody Generator

Features:

- 1024-note ROM memory
- 2.5v to 5v power supply
- Low power consumption
- 14 tempos available through mask setting
- 15 beats available
- 27 notes (including rest) available
- 1 sequence trigger key
- Natural sound effect; two individual external envelope circuits
- Dynamic speaker can be driven with an external NPN transistor
- Power on reset; melody begins from the first note
- Typical oscillator frequency 160 KHZ

General Description:

This chip is a CMOS LSI designed for use in toys, doorbell, music boxed, melody clock/timers and telephone .it is designed to play the melody according to previously programmed information and is capable of generating songs with piano effect. By pushing the sequence trigger key,all songs can be sequentially selected and played with auto-stop function..

Pin Description:

Pin No	Symbol	Description
1	VDD	Positive power supply
2	OSCI	Oscillator input pin
3	OSCO	Oscillator output pin
4	GND	Negative power supply
5	TEST	For testing
6	TG	Sequence trigger pin for sequentially selecting the songs
7	TX	Buzzer drive pin
8	TTCK	For testing
9	L1	LED drive pin
10	L2	LED drive pin
11	L3	LED drive pin
12	L4	LED drive pin
13	CONTO	For testing

深圳市普恩科技有限公司

深圳市宝安区龙华镇民治街道民康路蓝坤大厦 1007

电话：0755-85286856 传真：0755-82484849

<http://www.salens.cn>

Absolute Maximum Ratings:

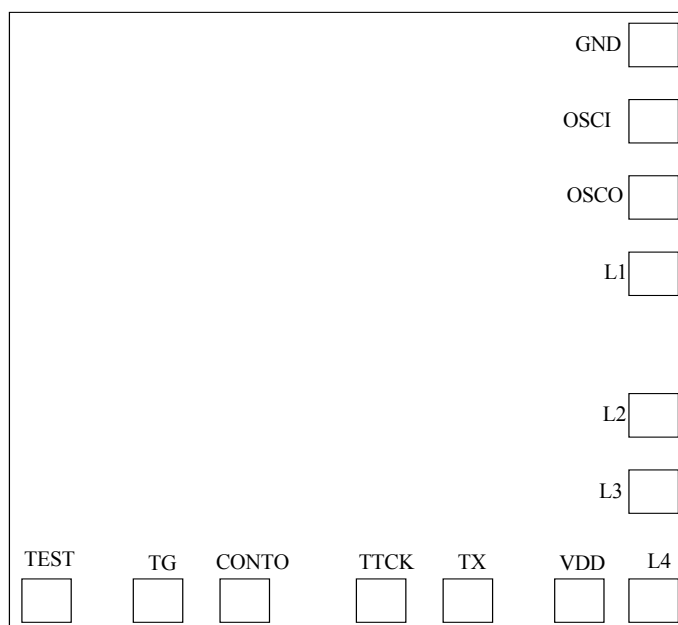
RATING	VALUE
DC Supply Voltage	0V to 5V
Input/output Voltage	GND -0.2V to VDD +0.2V
Operating Temperature	-10°C to 60°C
Storage Temperature	-25°C to 125°C

Electrical Characteristics

(VDD=3.0V,GND=0V,T_A=25°C,unless otherwise specified)

Parameter	Symbol	Min	Typ	Max	Unit
Operating Voltage	Vdd	2.5	3.0	5	V
Operating Current	Idd	--	3	10	mA
Standby Current	Istb	--	2	10	uA
OSC Frequency	Fosc	--	160k	±15%	HZ

Application Circuit:

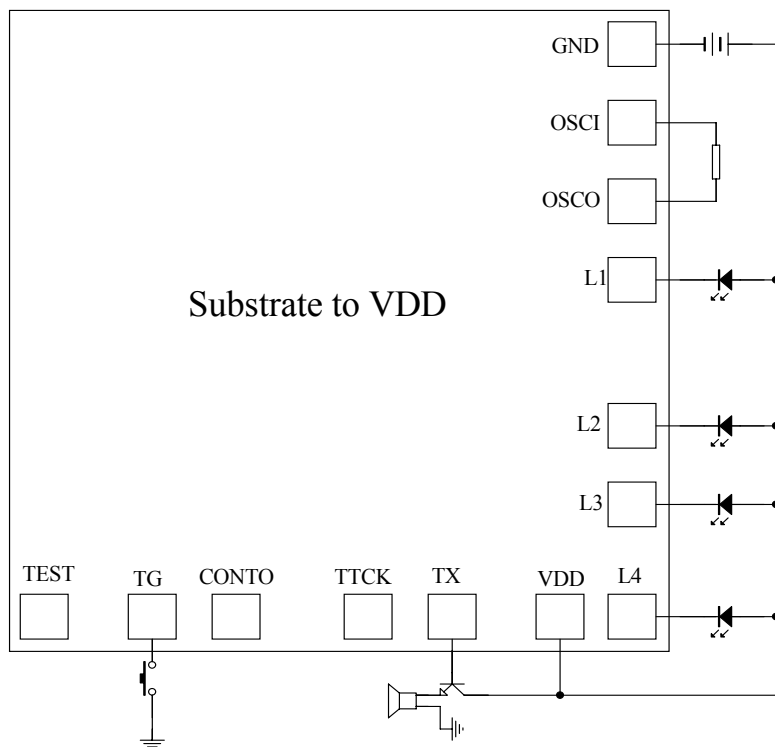


深圳市普恩科技有限公司

深圳市宝安区龙华镇民治街道民康路蓝坤大厦 1007

电话：0755-85286856 传真：0755-82484849

<http://www.salens.cn>



深圳市普恩科技有限公司

深圳市宝安区龙华镇民治街道民康路蓝坤大厦 1007

电话：0755-85286856 传真：0755-82484849

<http://www.salens.cn>

DT903 应用图

