

深圳市普恩科技有限公司

地址：深圳市宝安区龙华镇民治街道民康路蓝坤大厦 1007

电话：0755-85286856 传真：0755-82484849

<http://www.salens.cn> sales@salens.cn

SS305ZB

3 Sirens and Machine Gun with 2 LEDS

Features:

- Operating Voltage range: 2.0V to 5V
- 2 LEDS Blinking
- Low power consumption
- Direct drive to buzzer
- 3 Sirens and Machine Gun sound
- One shot or Sequence and Level hold function option

General Description:

This chip is a new type of CMOS sound generator designed with sound composite system using minimum application circuit. Two direct LED drive output and direct driver to buzzer application. Option mode selection: Fire Engine Siren, Ambulance Siren, Police Siren, Machine Gun sound and Sequence function from S1 to S4 and One shot or Sequence and Level hold function can be programmed by changing push down different switch. It is dedicated to the applications such as game box, toys ...and so on. It is easy for you to design your consumer products.

Pin Description:

Pin No	Symbol	Description
1	LED1	LED output pin.
2	LED2	LED output pin.
3	TEST	Test pin
4	GND	Negative power supply
5	BZ	Sound output pin 1
6	BB	Sound output pin 2
7	S1	Fire Engine Siren sound
8	S2	Ambulance Siren sound
9	S3	Police Siren sound
10	S4	Machine Gun sound
11	PSK	Sequence function from S1 to S4 sound
12	LH	Level Hold
13	Y	Oscillator output pin
14	OSCI	Oscillator input pin
15	VDD	Positive power supply

深圳市普恩科技有限公司

深圳市宝安区龙华镇民治街道民康路蓝坤大厦 1007

电话：0755-85286856 传真：0755-82484849

<http://www.salens.cn> sales@salens.cn

Absolute Maximum Ratings:

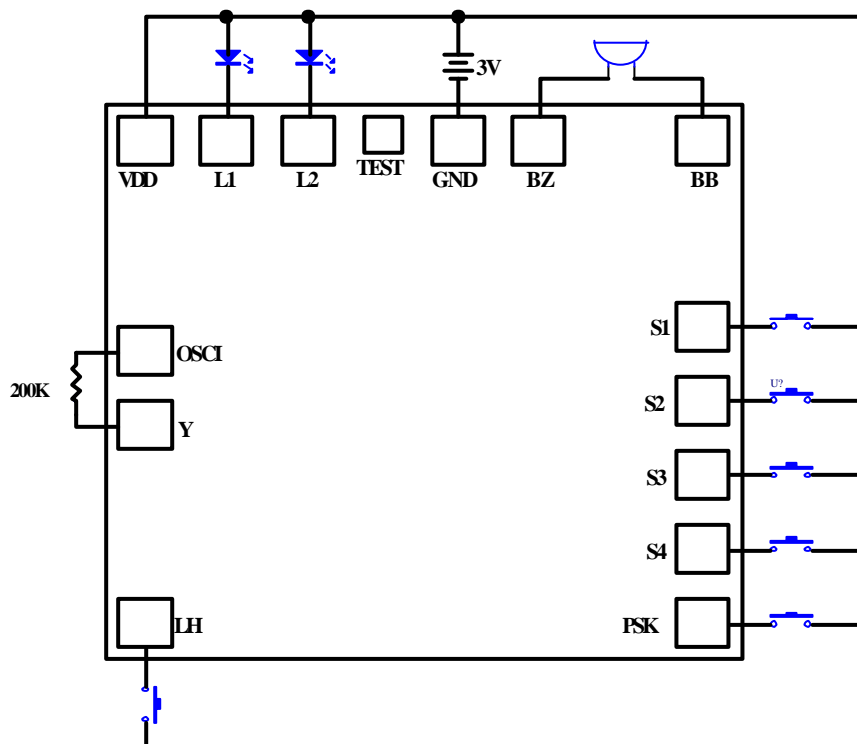
RATING	VALUE
DC Supply Voltage	<3.5V
Input/output Voltage	GND-0.3V to VDD+0.3V
Operating Temperature	-10°C to 60 °C
Storage Temperature	-25°C to 125°C

Electrical Characteristics:

(VDD=3.0V,GND=0V,Ta=25°C,unless otherwise specified)

Parameter	Symbol	Min	Typ	Max	Condition
Operating Voltage	VDD	---	3.0V	---	
Standby Current	Istb	---	2uA	100uA	Vdd=3V,I/O open
Operating Current	Iop	---	0.1mA	0.5mA	Vdd=3V,I/O open
BZ ? BB Driving Current	Io	10mA	---	---	Vds=1V
LED Driving Current	ILED	---	10mA	---	VLED=1.8V
Oscillator Frequency	Fosc	70KHz	100KHz	130KHz	Vdd=3V

Application Circuit:



*Substrate to VDD