

# 深圳市普恩科技有限公司

地址：深圳市宝安区龙华镇民治街道民康路蓝坤大厦 1007

电话：0755-85286856 传真：0755-82484849

<http://www.salens.cn> sales@salens.cn

LS661

## 6 LED Flash Controller

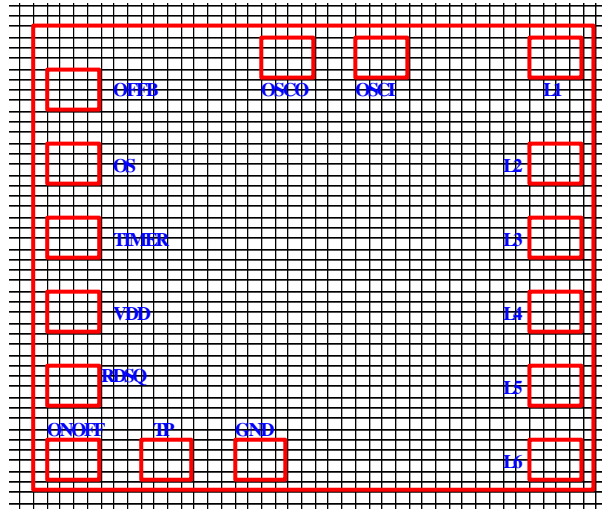
### Features:

- Operating Voltage range : 1.5V to 5.5V.
- Built-in RC oscillator .
- One shot triggable control and low power consumption .
- Direct drive LED, 1/2 period is effective.
- Sequential or random mode

### General Description:

Special designed for 6 LED output driver IC. This chip is in use without external resistor ,but can be used the external resistor for variable oscillator frequency .It is variable flash mode, sequential or random mode and on/off mode by CDS control .

### Pad Diagram :



### Pin Description :

Pin No	Symbol	Description
1	OSCI	Oscillator input
2	OSCO	Oscillator output
3	OFFB	For CDS use
4	OS	One Shot 16 times in a Period
5	TIMER	Active High One Shot Period
6	VDD	Positive Power Supply
7	RD/SQ	Random/Sequential Option Normal Random, VSS is Sequential
8	ON/OFF	ON/OFF Switch
9	TP	Test pin
10	GND	Negative power supply
11	L6	LED Output Pin
12	L5	LED Output Pin
13	L4	LED Output Pin
14	L3	LED Output Pin
15	L2	LED Output Pin
16	L1	LED Output Pin

# 深圳市普恩科技有限公司

地址：深圳市宝安区龙华镇民治街道民康路蓝坤大厦 1007

电话：0755-85286856 传真：0755-82484849

<http://www.salens.cn> sales@salens.cn

## Product Code :

TYPE	FREQUENCY (built-in )
LS661-001	1Hz
LS661-002	2.4Hz

## Absolute Maximum Ratings :

RATING	VALUE
DC Supply Voltage	<6.5V
Input/output Voltage	GND-0.3V to VDD+0.3V
Operating Temperature	-10°C to 60 °C
Storage Temperature	-25°C to 125°C

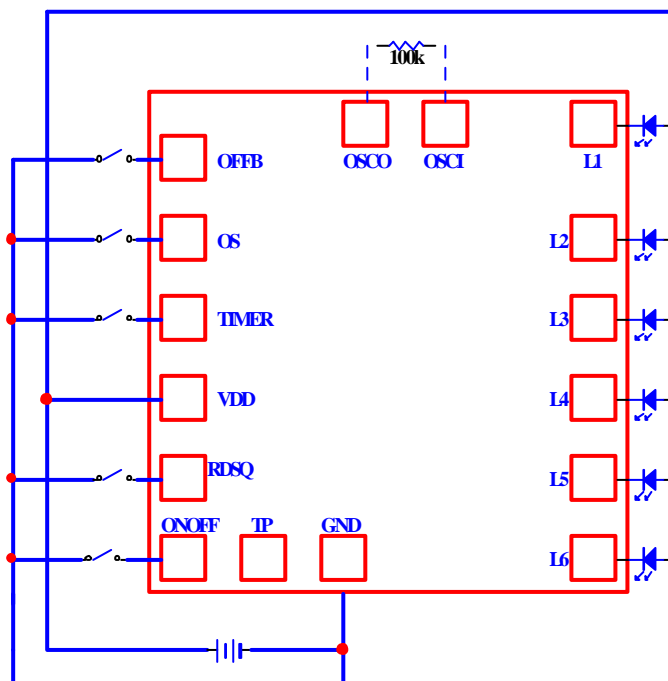
Notice: Stress greater than those listed under Absolute Maximum Ratings may cause permanent damage to the device, This is a stress rating only and functional operation of the device at these or any other conditions above those indicated in the operational sections of this specification is not implied, Exposure to absolute maximum rating conditions for extended period may affect reliability.

## Electrical Characteristics

(VDD=3.0V,GND=0V,Ta=25°C,unless otherwise specified)

Parameter	Symbol	Min	Typ	Max	Condition
Operating Voltage	Vdd	1.5V	3.0V	5.5V	
Standby Current	Istb	---	---	5uA	Vdd=3V,I/O open
Operating Current	Iop	---	---	400uA	Vdd=3V,I/O open
LED Sink Current	I <sub>LED</sub>	---	15mA	20mA	Vdd=3.0V, V <sub>LED</sub> =1.5V

## Application Circuit :



\*Substrate to VDD