

深圳市普恩科技有限公司

地址：深圳市宝安区龙华镇民治街道民康路蓝坤大厦 1007

电话：0755-85286856 传真：0755-82484849

<http://www.salens.cn> sales@salens.cn

JT-J913

8 sec speech synthesizer

Features :

- Operating Voltage 2.4V-5.0V
- 8 Sec Voice Rom built-in
- Direct to speaker

General Description :

JT-J913 is a speech IC , with 8 sec Voice Rom built-in. When Press tg1 or tg2 or tg3 firstly ,speaker will output Sound A or B or c for a while(repeat 5 times). When press tg4 during Sound A or B or C is playing, speaker will output Sound D with the playing Sound A or B or C.

Absolute Maximum Ratings :

RATING	VALUE
DC Supply Voltage	2.4V~5.0V
Input/output Voltage	GND-0.2V~VDD+0.2V
Operating Temperature	~5 ~40
Storage Temperature	~10 ~60

Electrical Characteristics

Parameter	Symbol	Min	Typ	Max	Unit	Condition
Operating Voltage	Vdd	2.4	3	5	V	
Standby Current	Istb			2	uA	VDD=3V No load
Operating Current	Iop			500	uA	VDD=3V No load
BD Output Drive Current	Ibd	50	80	100	mA	V _{OH} =1.5v
OSC Frequency	F _{H128K}		160		KHz	

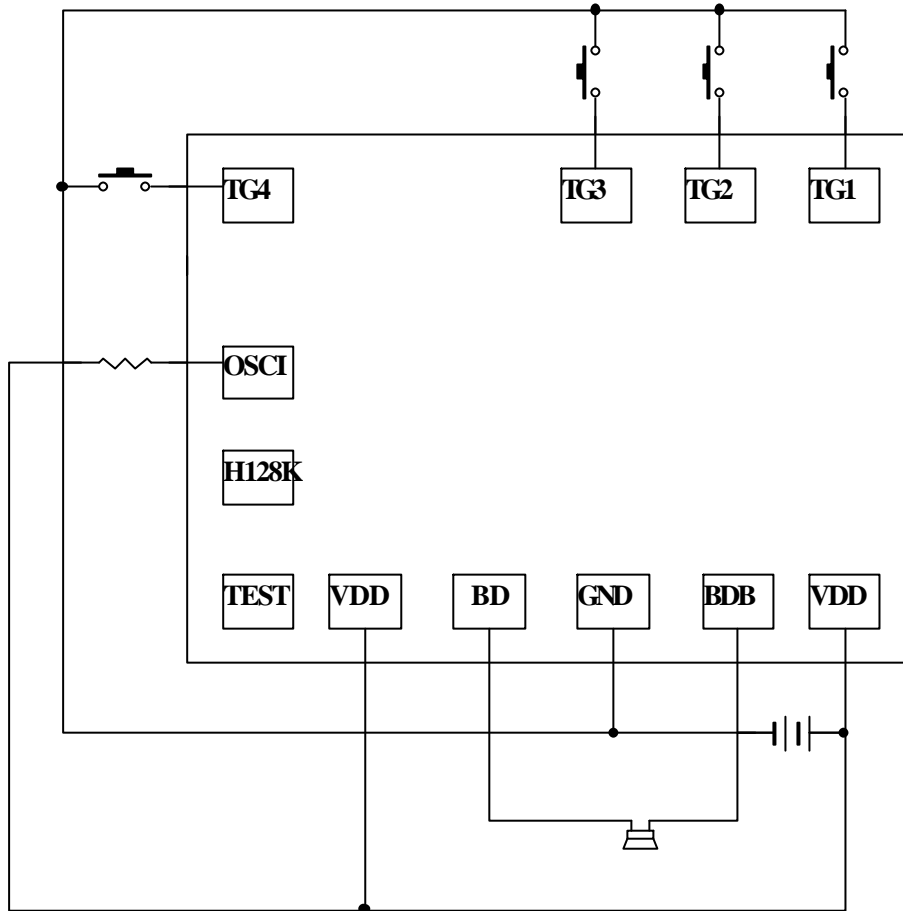
深圳市普恩科技有限公司

地址：深圳市宝安区龙华镇民治街道民康路蓝坤大厦 1007

电话：0755-85286856 传真：0755-82484849

<http://www.salens.cn> sales@salens.cn

Application Circuit :



Substrate should connect to GND

Chipsize:1500/1200

Product No	Pin No	Symbol	Size of pad (X,Y)	Shrink
JT-J913	1	TG1	1222/907.3	100%
	2	TG2	1030.1/907.3	
	3	TG3	838.2/907.3	
	4	TG4	76.3/880.7	
	5	OSCI	76.3/496	
	6	H128K	76.3/304.2	
	7	TEST	76.3/121.4	
	8	VDD	237.4/95.1	
	9	BD	514.8/95.1	
	10	GND	750.7/95.1	
	11	BDB	986.5/95.1	
	12	VDD	1268.7/95.1	