

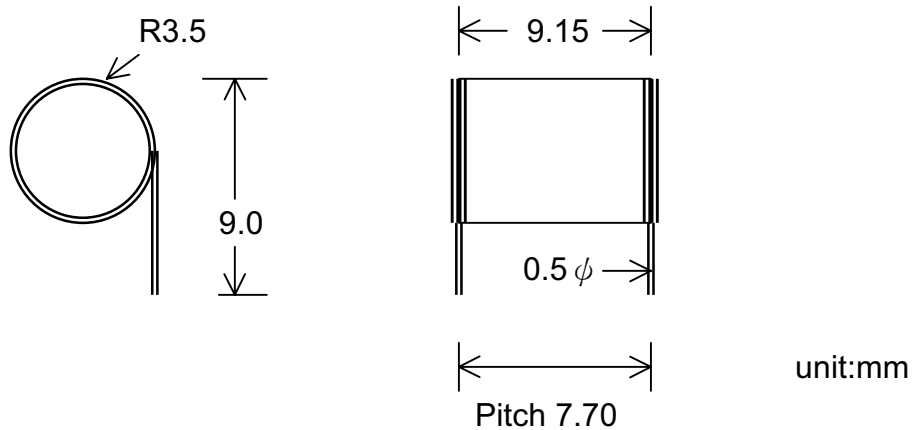
Shock sensor A118 specification

(Patent's)

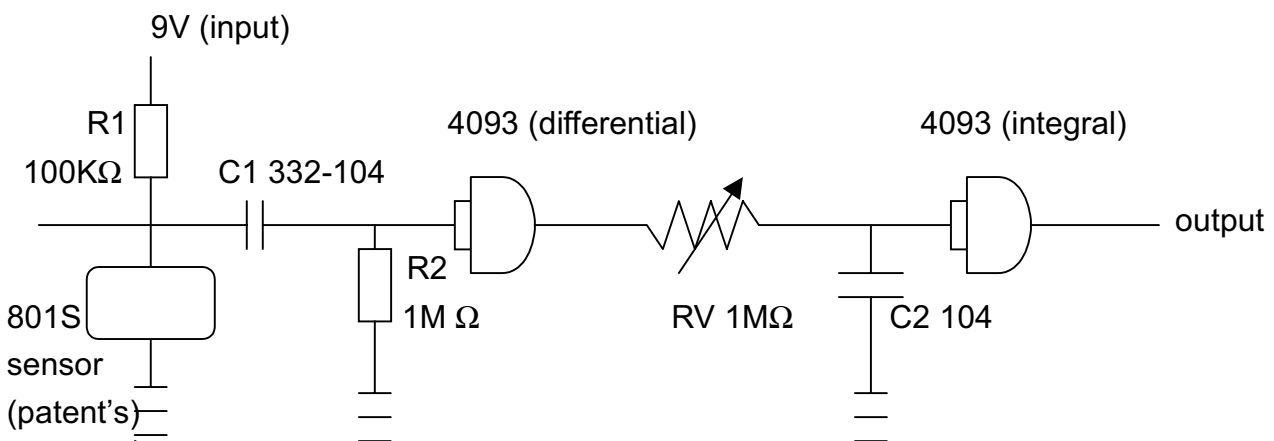
- **Features:**

- Micro Shock detecting.
- Non direction limited.
- 60,000,000 times shock guarantee (special gold alloy plated)
- Low cost circuit can adjust Sensitivity.

- **Dimension:**



- **Reference circuit:**



- **Attention:**

1. The point of utput must become **square wave**. (*Can not use as shock switch!*)
2. Take low or high of output square wave into your alarm system and adjust sensitivity from the delay time length.

* circuit design principles: Principle -> with Schmitt triggered the first differential signal -> then the integral and reorganized into a square wave-> take the up and down along as a wave adjustment circuit watching to much of the wave (or how many waves)-> as sensitivity adjustment **so that it will work**