

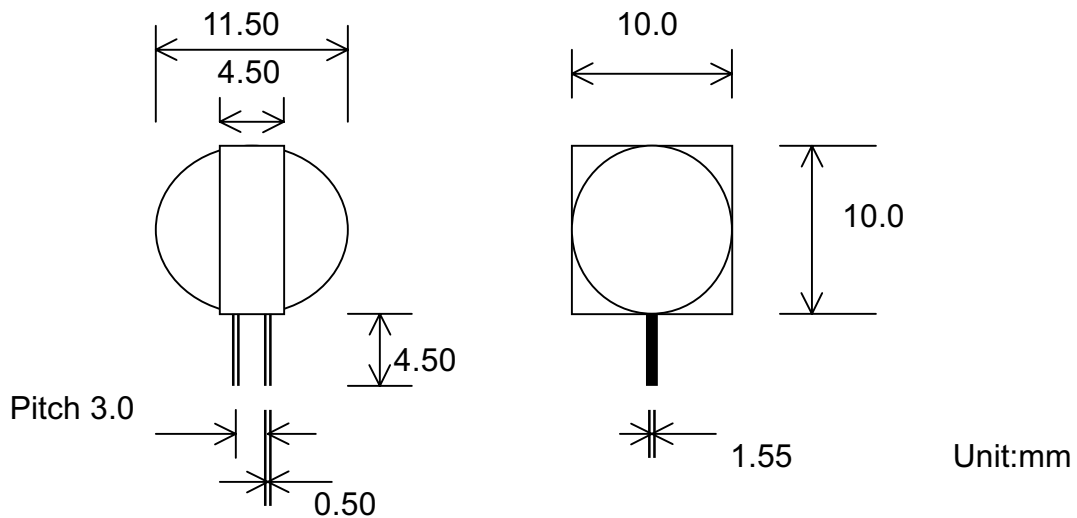
Shock sensor A112 specification

(patent's product)

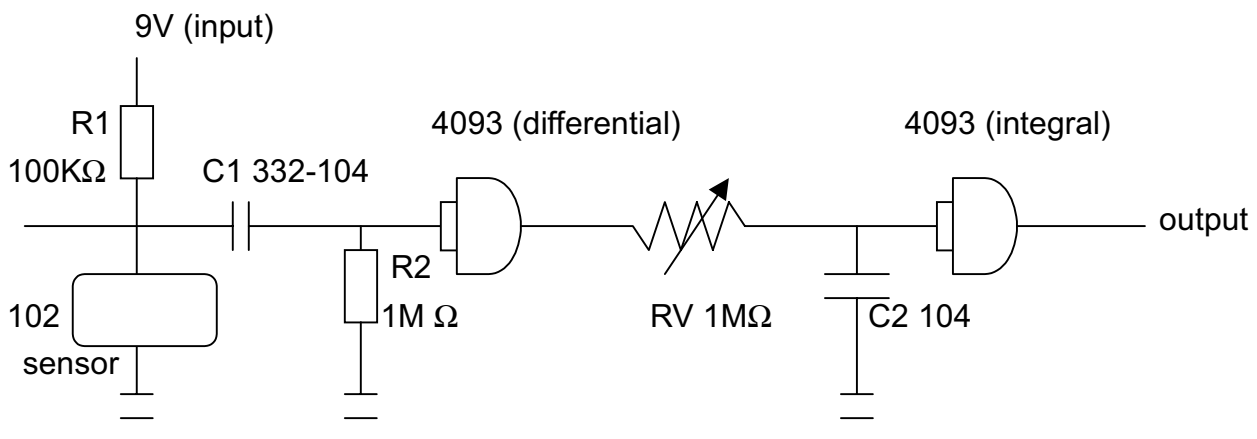
- Features:

- Wide range shock detecting.
- Non direction limited.
- 12,000,000 times shock guarantee (special gold alloy plated)
- Low cost circuit can adjust Sensitivity.

- Dimension:



- Reference circuit:



Attention:

1. Output must become **square wave**. (Can not use as shock switch!)
2. Take low or high of output square wave into your alarm system and adjust sensitivity from the delay time length.

* circuit design principles: Principle -> with Schmitt triggered the first differential signal -> then the integral and reorganized into a square wave-> take the up and down along as a wave adjustment circuit watching to much of the wave (or how many waves)-> as sensitivity adjustment **so that it will work**